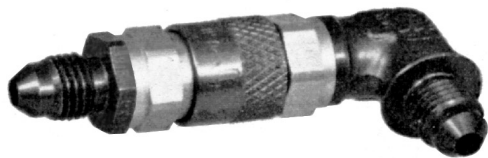
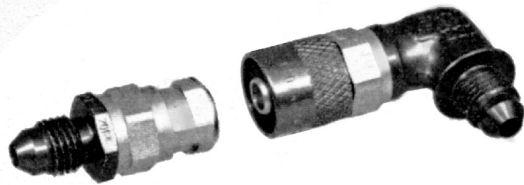


Aeroquip® Brand

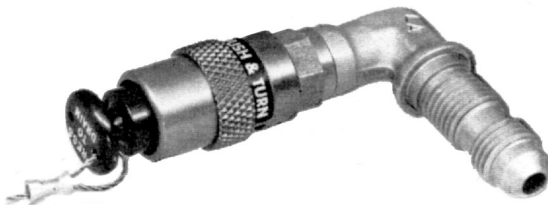
Miniature Coupling - Full Flow, Flat Latch



Connected



Disconnected



Half with drain cap

Design Specifications

Media: Coolant 35

Pressure:

Operating 150 psi (10.34 bar)
Proof 225 psi (15.51 bar)
Min. Burst 375 psi (25.85 bar)

Temperature:

-65°F to +250°F
(-53.89°C to +121.11°C)

Material: Aluminum, cres springs

Seals: Fluorosilicone, Viton

Dimensions: (see back page)

Testing: Modified 1010-4 style
qualified in TR3534 and
TR61522

Polarity: Two polarities required to
prevent cross connection

Design Features

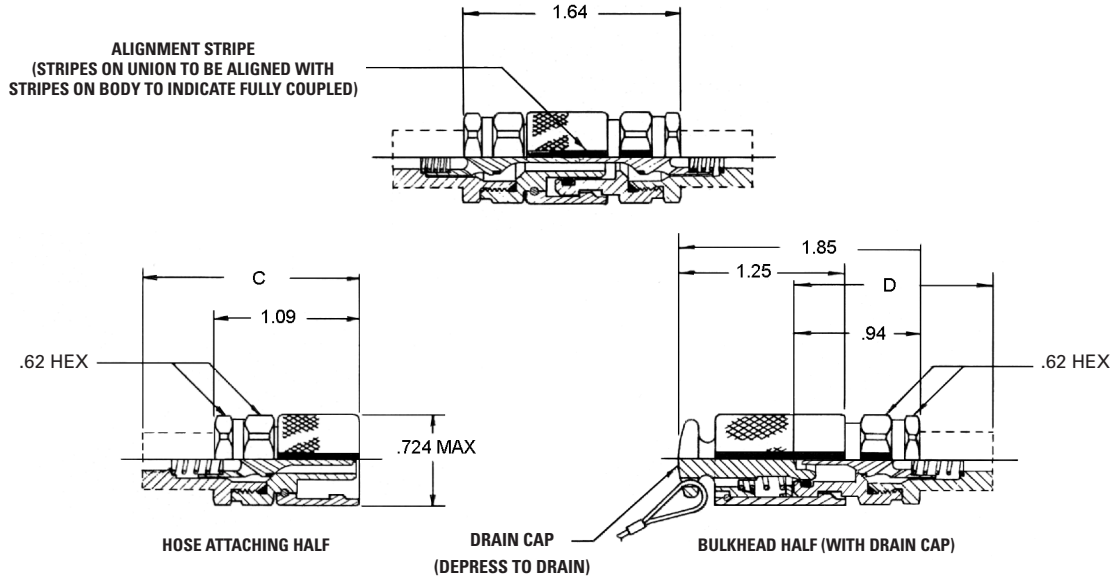
- Maximum reliability resulting from unique flat latch locking device
- Quick connection and disconnection — one hand operation
- Excellent flow = low pressure drop resulting from improved valve design
- Operating pressure — to 1500 psi (103.42 bar)
- Drain cap with “press to drain” feature is available as well as conventional caps and plugs
- Coupling is particularly suited to other fluid and air systems with appropriate seal changes
- Stripe indicator denotes fully locked position



Powering Business Worldwide

The information disclosed on the drawing is proprietary and shall not be disclosed, used or duplicated for procurement or manufacturing purposes without the express written consent of Eaton Corporation.

Polarity	Union Mechanism		Color Code		Alignment
	Hose Half	Bulkhead Half	Union	Body	Black Stripe
A (Standard)			Red	Red	Two
B			Yellow	Yellow	Three



End Fitting	Attitude	"A" Polarity		"B" Polarity		Coupling Half With Cap		C	D
		Hose Half	Bulkhead	Hose Half	Bulkhead	"A" Polarity	"B" Polarity		
MS33514-4	Straight	AE91911E	AE91935E	AE91923E	AE91899E	AE91937E	AE91949E	1.54	1.39
	45°	AE91912E	AE91888E	AE91924E	AE91900E	AE91938E	AE91950E	-	-
	90°	AE91913E	AE91889E	AE91925E	AE91901E	AE91939E	AE91951E	-	-
MS33515-4	Straight	AE91914E	AE91890E	AE91926E	AE91902E	AE91940E	AE91952E	2.03	1.88
	45°	AE91915E	AE91891E	AE91927E	AE91903E	AE91941E	AE91953E	-	-
	90°	AE91916E	AE91892E	AE91928E	AE91904E	AE91942E	AE91954E	-	-
MS33656-4	Straight	AE91917E	AE91893E	AE91929E	AE91905E	AE91943E	AE91955E	1.64	1.49
	45°	AE91918E	AE91894E	AE91930E	AE91906E	AE91944E	AE91956E	-	-
	90°	AE91919E	AE91895E	AE91931E	AE91907E	AE91945E	AE91957E	-	-
MS33657-4	Straight	AE91920E	AE91896E	AE91932E	AE91908E	AE91946E	AE91958E	2.13	1.98
	45°	AE91921E	AE91897E	AE91933E	AE91909E	AE91947E	AE91959E	-	-
	90°	AE91922E	AE91898E	AE91934E	AE91910E	AE91948E	AE91960E	-	-